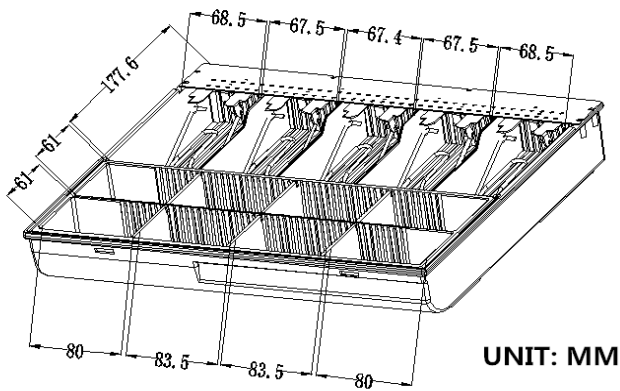




→ SS-300 Heavy Duty Cash Drawer

- 410(W)x420(D)x100(H) mm
- Adjustable For 4-8 Bills / 4-8 Coins
- 3-position lock, 2 mediaslots
- Voltage 6V/9V/12V/24V, Cable: 100cm length
- Thick gauge cold rolled steel & SECC
- Epson standard RJ11/RJ12 connector
- Removable Cash & Coin tray
- Adjustable money clip (Metal wire grips) & dividers



UNIT: MM

KR-410/KS-410/KT-410/KM-410/KF-410/KA-410 5B8C



SS-300 SPECIFICATIONS

Model Number	SS-300
Physical	
Dimension	410(W)x420(D)x100(H) mm / 16.1(W) x 16.5(D) x 3.9(H) inch
Construction	All metal construction
Finish	Textured hybrid power cost
Color	Black, beige and custom type
Roller	Polyurethane for smooth operation
Cash Tray (insert)	
Construction	Shatter-resistant plastic
Currency Layout	4,5,6,8-Bill Metal Wire Grippers, 4,5,6,7,8 adjustable coin slots
Media Slots	2
Operation	
Lock	3-position lock/4 functions: Locked open/closed, manual open, electronically driven
Interface	RJ11, RJ12, RS232, USB, DC φ 2.5/3.5 Jack, custom type
Micro Switch	Cash drawer status micro switch
Accessories	USB trigger, Serial interface trigger
Packing Details	
Model Number	SS-300
Net Weight	7.6 (kg)
Gross Weight	8.5 (kg)
Carton Size	468x458x155 (mm)

www.sop-pos.com

sales@sop-pos.com

086 969 899